

The Professional's Choice

Unvented Hot Water Cylinders



uvgold²
unvented stainless steel

uvgold²
unvented stainless steel

Step up to powerful hot water!

The new UV Gold² is a range of unvented hot water cylinders manufactured from high grade Duplex stainless steel, featuring excellent corrosion resistance for long operational life. They've been designed with you, installer, in mind to offer you a 'one-stop shop' solution to all your water heating needs.

The cylinders come with all required fittings and accessories, making them quick and easy to install.

The use of high specification quality components ensures outstanding performance.

The range consists of direct and indirect, standard and slimline models with capacities ranging from 90 to 500litres. Indirect models are also available horizontal and highly popular system-fit and pre-plumbed, pre-wired version to simplify installation and significantly reduce time installer has to spend on-site.

With such an extensive range of models on offer, the cylinders are able to fulfil requirements of a wide array of applications - from a small house with one bathroom and/or an en-suite, through large family homes with 2-3 bathrooms to multiple-occupancy estates with four or five bathrooms.

The cylinders offer mains pressure hot water and can handle DHW being delivered simultaneously to multiple points around the home. Quick recovery coils and high level of energy-efficient insulation mean both reheat times and running costs are kept to a minimum. With a 25-year internal vessel guarantee and 2 years on parts and labour, you can rest assured the new UV Gold² will deliver your customers not only the hot water they need, but also the ultimate peace of mind.



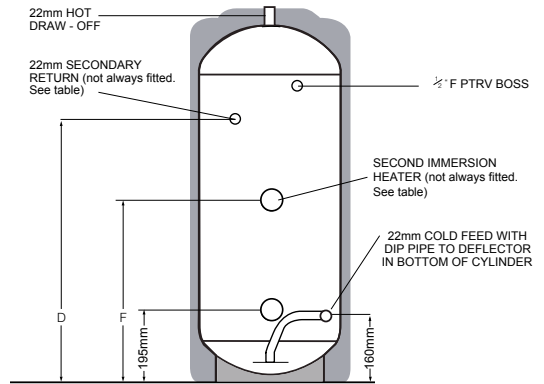
Features and benefits

- Duplex stainless steel for excellent corrosion resistance
- Mains pressure hot water for fast filling baths and powerful showers
- High flow-rate controls - ideal for multiple bathrooms
- Fast reheat and high insulation values resulting in high efficiency
- Wide range of types and capacities to suit various applications
- A complete package - just add pipework

DIRECT 90L - 300L



Unvented direct cylinders are designed for electric water heating and feature a Long Life Incoloy immersion heaters, which can be used in conjunction with 'low tariff electricity'. They are suitable mainly for domestic use.



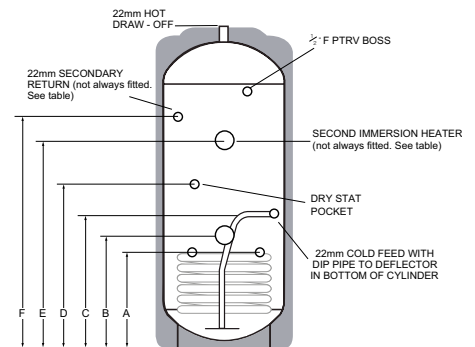
CODE	CAPACITY (Litres)	HEIGHT	DIAMETER	D	F	ERP		
						Rating	Load Profile	kWh / year
ED90	90	718	550	N/A	N/A	D	M	1451
ED120	120	906	550	N/A	510	D	M	1475
ED150	150	1093	550	N/A	610	E	M	1503
ED180	180	1281	550	N/A	710	D	L	2796
ED210	210	1469	550	1000	810	D	L	2844
ED250	250	1719	550	1250	950	D	L	2889
ED300	300	2032	550	1500	1100	D	XL	4560

All dimensions are in mm and are of the cased unit. N/A = Not Applicable.

INDIRECT 90L - 500L



Unvented indirect cylinders are designed to heat up quickly and to retain their heat for long periods. From single shower water heating to meeting hot water demands for sports pavilions - we have the hot water solution for your needs. They are suitable for use with traditional boiler (gas, oil or electric) and have an immersion heater fitted for a back-up heating.



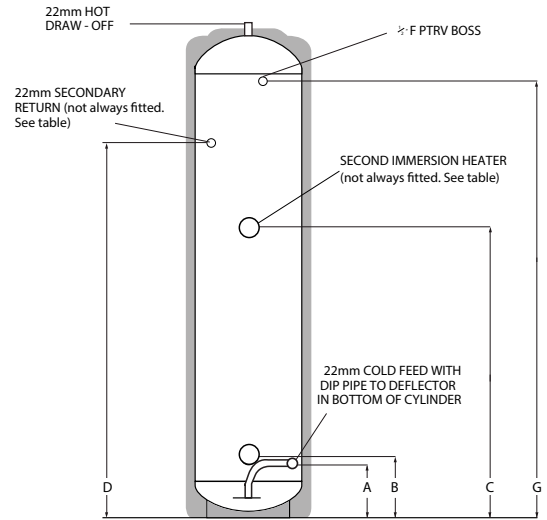
CODE	CAPACITY Litres	HEIGHT	DIA	A	B	C	D	E	F	ERP	
										Rating	Standing Loss, (W)
EN90	90	718	550	290	330	390	345	N/A	N/A	B	41
EN120	120	906	550	290	330	390	345	N/A	N/A	B	47
EN150	150	1093	550	330	370	465	385	N/A	N/A	B	54
EN180	180	1281	550	330	370	465	385	N/A	N/A	B	58
EN210	210	1469	550	365	405	465	465	N/A	1150	C	70
EN250	250	1719	550	365	405	465	560	950	1400	C	81
EN300	300	2032	550	365	405	465	660	1100	1600	C	92
EN400	400	1615	700	692	767	197	821	1057	1347	E	142
EN500	500	1915	700	692	776	197	827	1357	1947	E	164

All dimensions are in mm and are of the cased unit. N/A = Not Applicable.

SLIMLINE DIRECT 150L - 210L



The slimline models have been developed to enable installers to fit unvented cylinders into smaller properties where space is an issue. Slimline direct cylinders are designed for electric water heating and feature a Long Life Incoloy immersion heaters, which can be used in conjunction with 'low tariff electricity'. They are suitable mainly for domestic use.



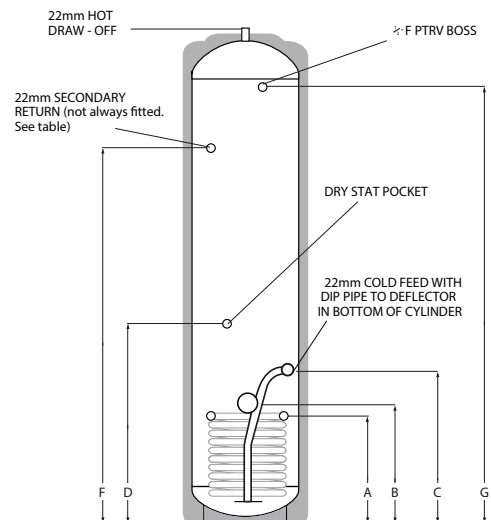
CODE	CAPACITY (Litres)	HEIGHT	DIAMETER	A	B	C	D	G	ERP		
									Rating	Load Profile	kWh / year
EDS150	150	1424	478	175	210	810	N/A	1234	E	M	1502
EDS180	180	1647	478	175	210	910	N/A	1484	D	L	2791
EDS210	210	1987	478	175	210	1100	1500	1797	D	L	2837

All dimensions are in mm and are of the cased unit. N/A = Not Applicable.

SLIMLINE INDIRECT 150L - 210L



The slimline models have been developed to enable installers to fit unvented cylinders into smaller properties where space is an issue. Slimline indirect cylinders are designed to heat up quickly and to retain their heat for long periods. They are suitable for use with traditional boiler (gas, oil or electric) and have an immersion heater fitted for a back-up heating.



CODE	CAPACITY (Litres)	HEIGHT	DIAMETER	A	B	C	D	F	G	ERP	
										Rating	Standard Loss, (W)
ENS150	150	1424	478	380	420	520	520	N/A	1234	B	54
ENS180	180	1647	478	380	420	520	610	N/A	1484	B	57
ENS210	210	1987	478	380	420	520	710	1500	1797	C	68

All dimensions are in mm and are of the cased unit. N/A = Not Applicable.

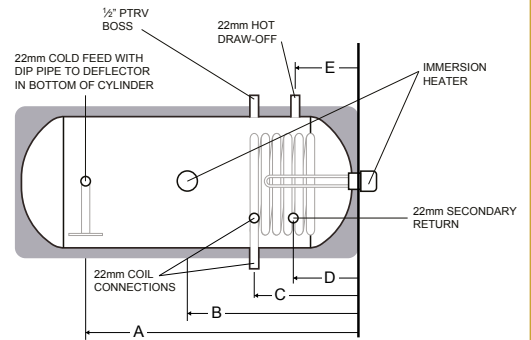
HORIZONTAL INDIRECT 180L - 300L

The horizontal cylinders have been developed to enable installers to fit unvented cylinders in locations where height restrictions apply, such as lofts. Horizontal indirect cylinders are designed to heat up quickly and to retain their heat for long periods. From single shower water heating to meeting hot water demands for sports pavilions - we have the hot water solution for your needs. They are suitable for use with traditional boiler (gas, oil or electric) and have an immersion heater fitted for a back-up heating.



CODE	CAPACITY (Litres)	LENGTH	DIA	A	B	C	D	E	ERP	
									Rating	Standard Loss, (W)
ENH180	180	1261	550	1024	798*	483	248	208	D	87
ENH210	210	1449	550	1212	898*	483	248	208	D	96
ENH250	250	1699	550	1462	898	483	248	208	D	107
ENH300	300	2012	550	1775	898	483	248	208	D	119

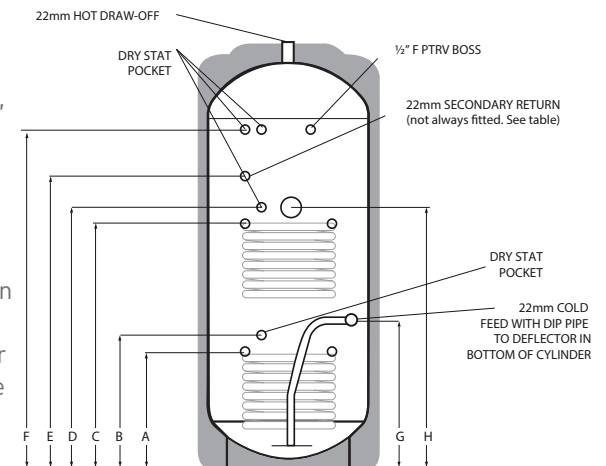
*Note: 180L & 210L Cylinders fitted with 1 3/4" BSP boss for an additional immersion heater, sold separately. Immersion heater CODE: IMHTRSS
All dimensions are in mm.



SOLAR INDIRECT 180L - 300L



Ideal for any solar thermal system, solar indirect cylinders feature two heating coils, with the primary coil connecting to a solar thermal heat source and the secondary coil connecting to a traditional boiler (gas, oil or electric). It also has an immersion heater fitted for a back-up heating. Solar indirect cylinders heat up quickly and retain their heat for long periods. From single shower water heating to meeting hot water demands for sports pavilions - we have the hot water solution for your needs.



CODE	CAPACITY (Litres)	HEIGHT	DIA	A	B	C	D	F	G	H	ERP	
											Rating	Standard Loss, (W)
ET180	180	1281	550	365	345	674	729	N/A	390	725	B	58
ET210	210	1469	550	365	345	779	834	1150	465	830	C	70
ET250	250	1719	550	365	345	920	1005	1400	465	1000	C	81
ET300	300	2032	550	365	345	979	1034	1600	465	1030	C	92

All dimensions are in mm and are of the cased unit. N/A = Not Applicable.

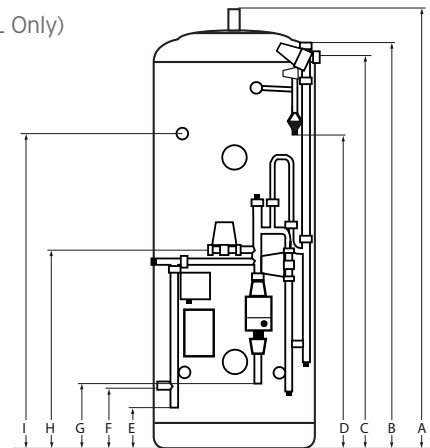
PRE-PLUMB INDIRECT 120L - 300L



Using out standard indirect cylinders, but with plumbing and wiring factory fitted a pre-plumb cylinders can save up to 70% fitting time on-site, in addition to all the usual features and benefits associated with an unvented hot water cylinder. We provide models suitable for use with conventional gas or oil boilers

Components & Connections

- 22mm Hot Water Draw-Off
- Inlet Control Set
- Temperature Relief Valve
- Cold Feed Drain Elbow
- Immersion Heater 3kW
- Secondary immersion Heater 3kW (250L & 300L Only)
- Dual Thermostat
- 22mm Auto Bypass Valve
- Circulating Pump
- Central Heating Flow 1 x Two Port Zone Valve
- Filling Loop Flexible Hose
- Manual Bottle Air Eliminator
- 22mm DHW Two Port Valve
- 28mm Return from Radiator Circuit
- 28mm Return to Boiler
- Wiring Centre
- Tundish
- Secondary Return (210L, 250L & 300L Only)
- DHW Drain
- 28mm Flow to Boiler



CODE	CAPACITY	HEIGHT (Litres)	DIA	A	B	C	D	E	F	G	H	I	EPS	
													RATING	RATING
EN120P4EUP	120	906	550	922	883	836	573	171	246	102	470	N/A	B	47
EN150P4EUP	150	1093	550	1109	1070	1023	760	211	286	140	508	N/A	B	54
EN180P4EUP	180	1281	550	1297	1258	1211	948	211	286	320	690	N/A	B	58
EN210P4EUP	210	1469	550	1485	1446	1399	1136	246	321	320	690	1150	C	70
EN250P4EUP	250	1719	550	1735	1696	1649	1386	246	321	320	690	1400	C	81
EN300P4EUP	300	2032	550	2048	2009	1962	1699	246	321	418	784	1600	C	92

All dimensions are in mm and are of the cased unit. N/A = Not Applicable.

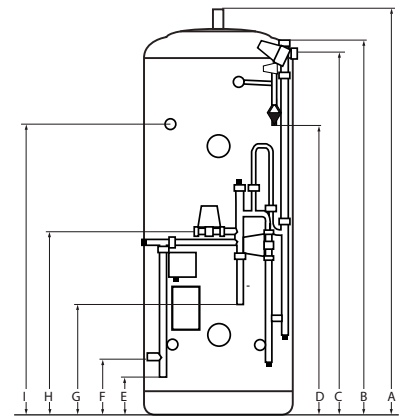
SYSTEM-FIT INDIRECT 180L - 300L



Specifically designed for use with system or conventional boilers, these system-fit cylinders use out standard indirect cylinders, with plumbing and wiring factory fitted. A System-Fit cylinders can save up to 70% fitting time on-site, in addition to all the usual features and benefits associated with an unvented hot water cylinder.

Components & Connections

- 22mm Hot Water Draw-Off
- Inlet Control Set
- Temperature Relief Valve
- Cold Feed Drain Elbow
- Immersion Heater 3kW
- Secondary immersion Heater 3kW (250L & 300L Only)
- Dual Thermostat
- 22mm Auto Bypass Valve
- Central Heating Flow 1 x Two Port Zone Valve
- Filling Loop Flexible Hose
- Manual Bottle Air Eliminator
- 22mm DHW Two Port Valve
- 28mm Return from Radiator Circuit
- 28mm Return to Boiler
- Wiring Centre
- Tundish
- Secondary Return (210L, 250L & 300L Only)
- DHW Drain
- 28mm Flow to Boiler



CODE	CAPACITY	HEIGHT (Litres)	DIA	A	B	C	D	E	F	G	H	I	EPS	
													RATING	RATING
EN180P5	180	1281	550	1297	1258	1211	948	211	286	320	690	N/A	B	58
EN210P5	210	1469	550	1485	1446	1399	1136	246	321	320	690	1150	C	70
EN250P5	250	1719	550	1735	1696	1649	1386	246	321	320	690	1400	C	81
EN300P5	300	2032	550	2048	2009	1962	1699	246	321	418	784	1600	C	92

All dimensions are in mm and are of the cased unit. N/A = Not Applicable.



www.uvgoldcylinders.co.uk
email: info@uvgoldcylinders.co.uk